

30W LED FLOOD LIGHTS

The LEDFL10-30 saves 50–70% on the electricity costs when compared with conventional lighting.

This model has a two year warranty.

FEATURES

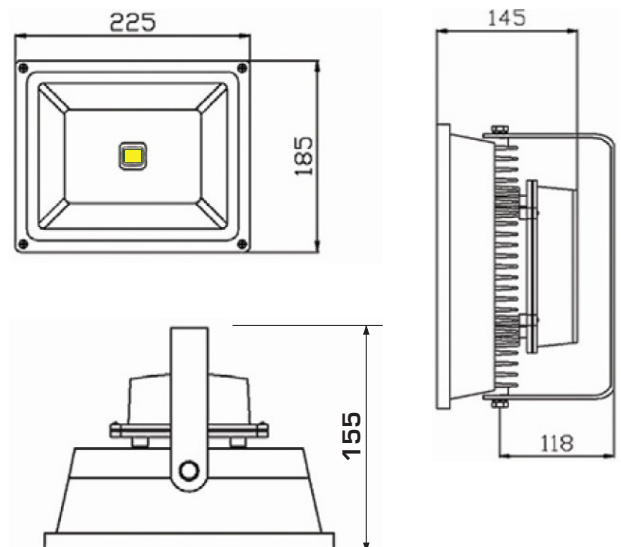
- Instant start up
- Cool running temperature
- Vibration resistant
- Low energy costs
- Low maintenance costs
- No strobe effect
- Long life span up to 30,000 hours

IDEAL FOR

- Garages and workshops
- Path/walkway lighting



DIMENSIONS



TECHNICAL SPECIFICATIONS

Total Power	30W
Supply Voltage	85 ~ 265V AC
Power Factor	0.98
Colour rendering index	Ra>80
Ambient temperature	-40°C to 50°C
Colour temperature	5700K
Weight	2kg
Dimensions	225 x 185 x 145mm
Lifespan	Up to 30,000 hours

CAT NO.	Lumens	Power	Current	IP Rating
LEDFL10-30AC	2663	30W	0.13A	IP65

SDOC is available on our website

78 Cryers Road
 East Tamaki
 Auckland.
 NEW ZEALAND
phone: 64 9 272 5619